



ACCESSORIES CATALOG | 2012

Automation

Customer Service

The right items for the entire range. In the AP&T catalog, you will find components for manufacturing/reconstruction, wear & tear parts and tools that enable easier maintenance of your automation equipment. The catalog contains everything from construction kits for building new gripping devices to the filters, belts and other items used in your operations.

You can order your accessories in any of the following three ways:

- › Fill out the order form at the end of the accessories catalog and fax it to: +46 (0) 321 295 05
- › Call in your order to: +46 (0) 321 295 86 or +46 (0) 321 295 88
- › Order via e-mail: service-aa@aptgroup.com

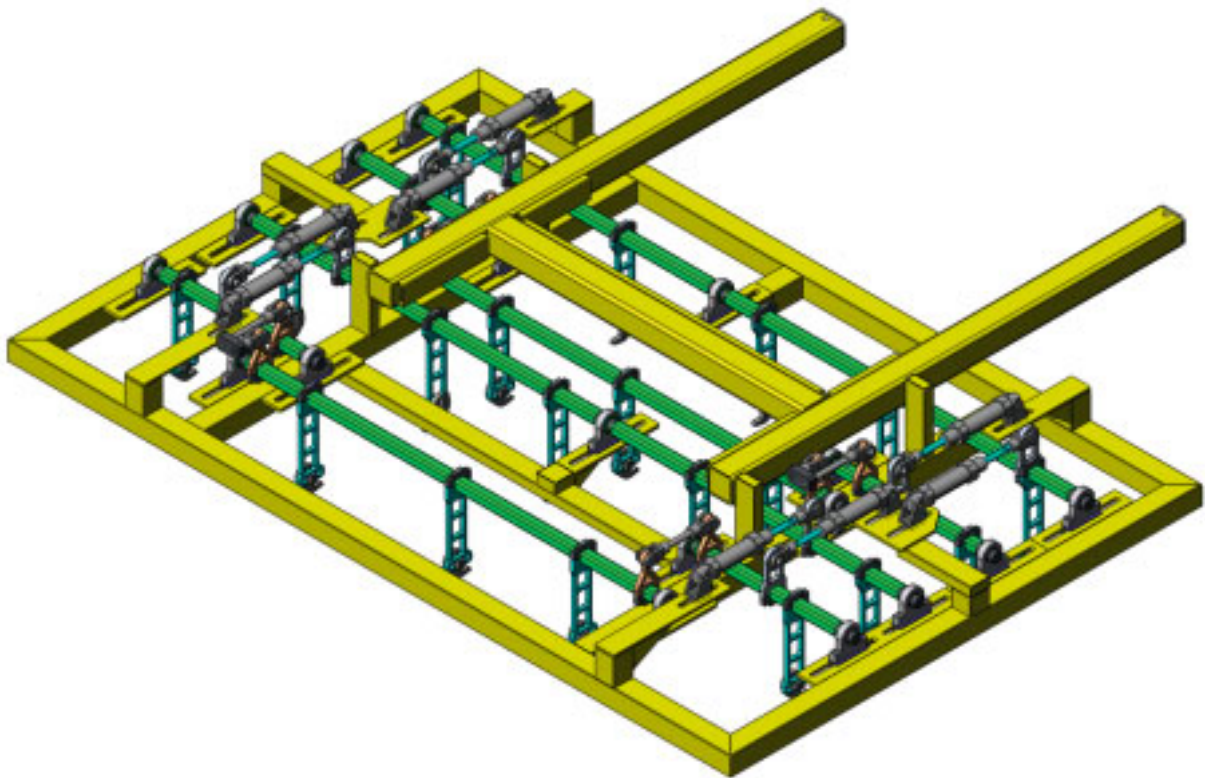
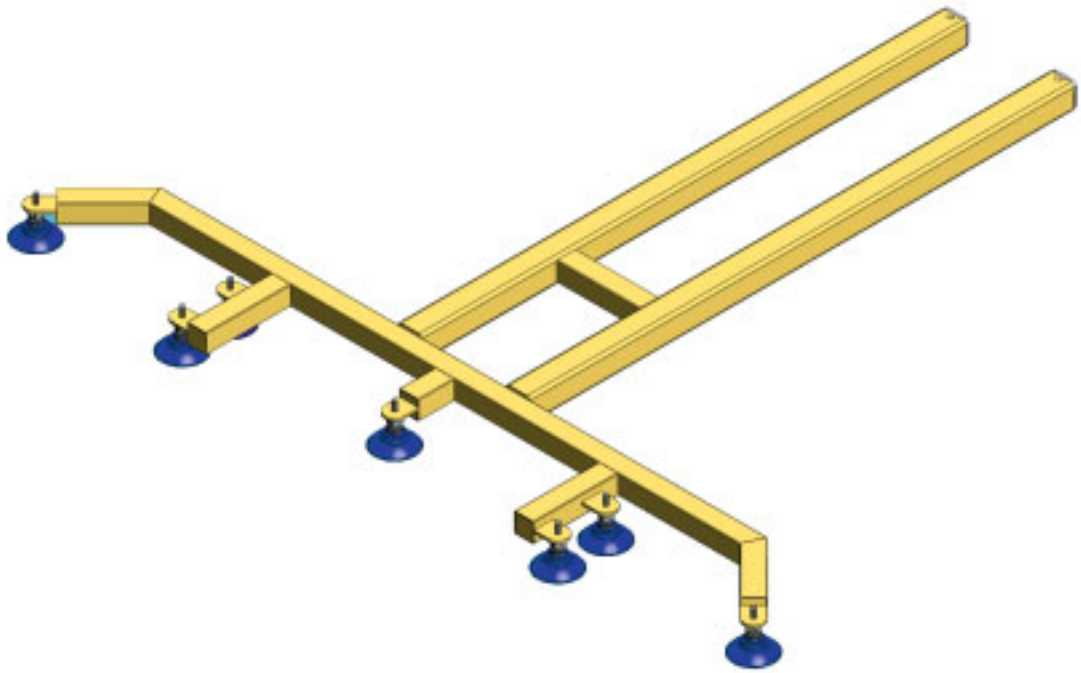
Feel free to contact us at +46 (0) 325 66 18 00 if you can't find what you are looking for or if you have any other questions.



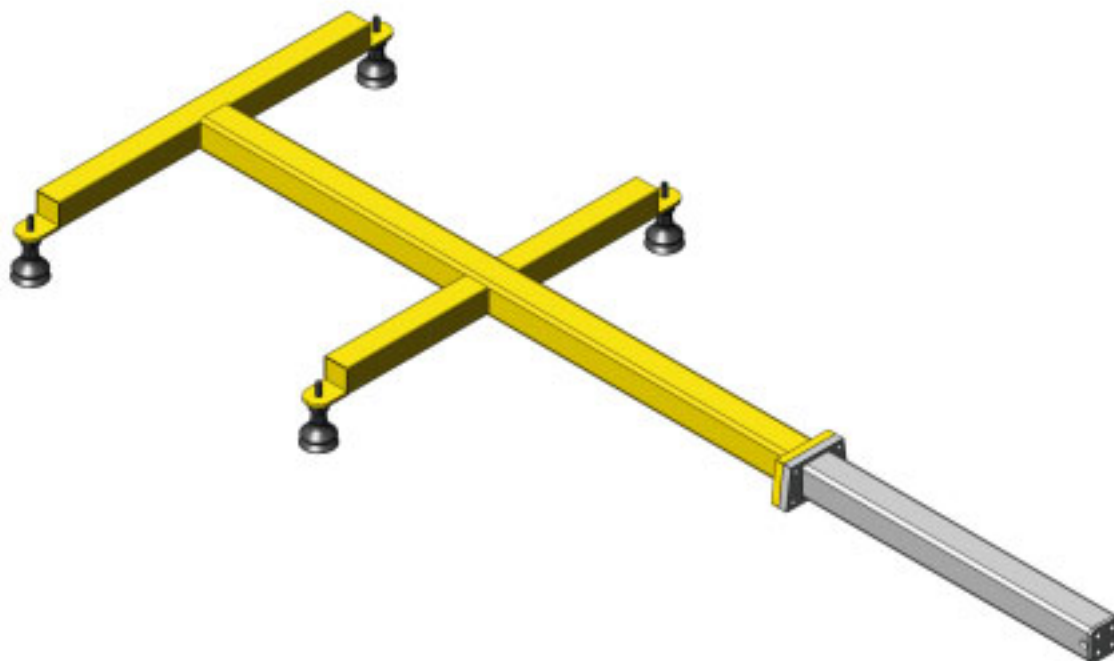
Content/Innehåll

1	Frame gripper/Stomme gripdon	p. 4
2	Accessories gripper/Tillbehör gripdon	p. 6
3	Hot forming/Varmformning	p. 8
4	Vacuum components/Vakuumkanter	p. 9
5	Vacuum tube/Vakuumslang	p. 14
6	Suction cup/Sugkopp	p. 15
7	Construction kit for gripper/Konstruktionskit för gripdon	p. 22
8	Driving/Drivning	p. 23
9	Lubrication system/Smörjsystem	p. 26
10	Vacuum unit ejector/Vakuumenhet ejektor	p. 27
11	Spare parts for vacuum unit/Reservdelar för vakuumenhet	p. 28
12	Other components/Övriga komponenter	p. 29
13	Special tools/Specialverktyg	p. 32
14	Industrial computer AP&T HMI, XP/Industridator AP&T HMI, XP	p. 33
15	Double sheet control/Dubbelplåtkontroll	p. 34
16	Spare part order/Ordersedel	p. 37

1. FRAME GRIPPER/STOMME GRIPDON



1. FRAME GRIPPER/STOMME GRIPDON



Body framework SF 40/60 screw coated with zinc
Grundstomme SF 40/60 skruv förzinkad

Art. No. 21600026



Gripper framework CD40/60 50x3.0 screwed
Gripdonstomme CD40/60 50x3,0 skruvad

Art. No. 21600028



Gripper framework CD40/60 50x1.5
Gripdonstomme CD40/60 50x1,5

Art. No. 21600029

2. ACCESSORIES GRIPPER/TILLBEHÖR GRIPDON



Wedge plate broad
Kilplatta bred

Art. No. 21606456



Wedge plate broad, 2 vacuum
Kilplatta bred, 2 vakuum

Art. No. 21000242



Air connection for wedge plate, 2 vacuum
Luftanslutning till kilplatta, 2 vakuum

Art. No. 21601119



Wedge plate gripper, narrow
Kilplatta gripdon, smal

Art. No. 21606309



Air connection for wedge plate
Luftanslutning till kilplatta

Art. No. 21606687



Connection plate gripper attachment model 92
Tätningsgavel gripdonsfäste modell 92

Art. No. 21607599



Suction cup end block gripper attachment CD50+CD05
Sugkoppsgavel gripdonsfäste CD50+CD05

Art. No. 21060008

2. ACCESSORIES GRIPPER/TILLBEHÖR GRIPDON



Suction cup end block gripper attachment CD50+CD05
Sugkoppsgavel gripdonsfäste CD50+CD05

Art. No. 21000579



Attachment 100 vacuum adapter
Fästöra 100 vinkeladapter

Art. No. 21600033



Attachment 50 vacuum adapter
Fästöra 50 vinkeladapter

Art. No. 21607374



Gripper locking
Låskläpp gripdonslåsning

Art. No. 21000027



Axis gripper locking
Axel gripdonslåsning

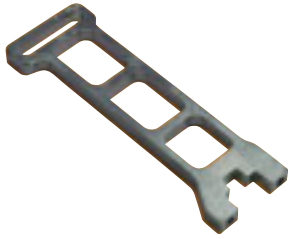
Art. No. 21000029



Gripper handle
Handtag gripdonslåsning

Art. No. 21000038

3. HOT FORMING/VARMFORMNING



Gripper arm, hot forming
Griparm, varmformning

Art. No. 21602024



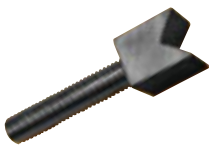
Clamp for gripper arm, hot forming
Överfall till griparm, varmformning

Art. No. 21602025



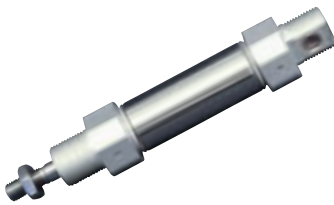
Claw, hot forming
Klo, varmformning

Art. No. 21602757



Claw hot forming HRC 58
Gripklo varmformning HRC 58

Art. No. 21602869



Cylinder CB85N25, hot forming
Cylinder CB85N25, varmformning

Art. No. 82110298



Tube 8.0/6.0 Heat 0-/ +260°C (bobbin 100 m)
Slang 8.0/6.0 Värme 0-/ +260°C (rulle 100 m)

Art. No. 82800250



Tube 8.0/6.0 Heat 0-/ +260°C (bobbin 100 m)
Slang 8.0/6.0 Värme 0-/ +260°C (rulle 100 m)

Art. No. 82800251

4. VACUUM COMPONENTS/VAKUUMKOMPONENTER



Resilient attachment FSTE 1/4" -50
Fästenhet fjädrande FSTE 1/4" -50

Art. No. 82900006



Resilient attachment FSTE 1/4" -25
Fästenhet fjädrande FSTE 1/4" -25

Art. No. 82900008



Resilient attachment FSTE 1/8" -50
Fästenhet fjädrande FSTE 1/8" -50

Art. No. 82900007



Resilient attachment FSTE 1/8" -25
Fästenhet fjädrande FSTE 1/8" -25

Art. No. 82900005

4. VACUUM COMPONENTS/VAKUUMKOMPONENTER



Suction cup adapter 1/4" outer thread
Vinkeladapter 1/4" utvändig gänga

Art. No. 22600004



Suction cup adapter A 1/8" outer thread
Vinkeladapter A 1/8" utvändig gänga

Art. No. 22600311



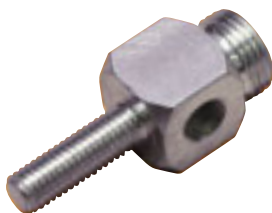
Suction cup adapter M10*1.25
Vinkeladapter M10*1.25

Art. No. 22600006



Suction cup adapter FGA 40/50
Vinkeladapter FGA 40/50

Art. No. 22600007



Suction cup adapter 3/8" inner thread
Vinkeladapter 3/8" utvändig gänga

Art. No. 22600024



Suction cup adapter B 1/8" inner thread
Vinkeladapter B 1/8" invändig gänga

Art. No. 22600396

4. VACUUM COMPONENTS/VAKUUMKOMPONENTER



Coupling extension 2070 1/4-1/4" 51
Kopplingsförlängning 2070 1/4-1/4" 51

Art. No. 82860001



Coupling extension 2070 1/4-1/4" 35
Kopplingsförlängning 2070 1/4-1/4" 35

Art. No. 82860002



Coupling extension 2070 1/8-1/8" 42
Kopplingsförlängning 2070 1/8-1/8" 42

Art. No. 82860394



Coupling extension 2070 1/8-1/8" 22
Kopplingsförlängning 2070 1/8-1/8" 22

Art. No. 82860397



Reduction coupling 2030 1/8-1/4"
Kopplingsreducering 2030 1/8-1/4"

Art. No. 82860092



Reduction coupling 2030 M5-1/8"
Kopplingsreducering 2030 M5-1/8"

Art. No. 82860109

4. VACUUM COMPONENTS/VAKUUMKOMPONENTER



Reduction coupling 2050 1/8-1/8"
Kopplingsreducering 2050 1/8-1/8"

Art. No. 82860353



Reduction coupling 2050 1/4-1/4"
Kopplingsreducering 2050 1/4-1/4"

Art. No. 82860003



Reduction coupling 2050 1/8" M5
Kopplingsreducering 2050 1/8" M5

Art. No. 82860004



Reduction coupling 2090 1/4-1/8"
Kopplingsreducering 2090 1/4-1/8"

Art. No. 82860097



Reduction coupling 2090 3/8-1/8"
Kopplingsreducering 2090 3/8-1/8"

Art. No. 82860099



Reduction coupling 2090 3/8-1/4"
Kopplingsreducering 2090 3/8-1/4"

Art. No. 82860084



Reduction coupling 2090 1/2-1/4"
Kopplingsreducering 2090 1/2-1/4"

Art. No. 82860145

4. VACUUM COMPONENTS/VAKUUMKOMPONENTER



Coupling banjo 1510-8/6-1/8"
Banjokoppling 1510-8/6-1/8"

Art. No. 82840254



Coupling banjo 1500-8/6-1/8"
Banjokoppling 1500-8/6-1/8"

Art. No. 82840252



Screw for coupling simple banjo 1410-1/8"
Skruv enkel banjokoppling 1410-1/8"

Art. No. 82840078



T-Coupling external 1220-8/6-1/8"
T-koppling utvändig 1220-8/6-1/8"

Art. No. 82840001



L-Coupling external 1100-8/6-1/8"
L-koppling utvändig 1100-8/6-1/8"

Art. No. 82840258



Coupling straight 1020-8/6-1/8"
Koppling rak 1020-8/6-1/8"

Art. No. 82840250



Coupling straight 1021. 4/2.7-M5
Koppling rak 1021. 4/2.7-M5

Art. No. 82840042

5. VACUUM TUBE/VAKUUMSLANG



Tube C.STAR Ø 4 vaccum (bobbin 100 m)
Slang C.STAR Ø 4 vakuum (rulle 100 m)

Art. No. 82800011-4



Tube C.STAR Ø 6 vaccum (bobbin 100 m)
Slang C.STAR Ø 6 vakuum (rulle 100 m)

Art. No. 82800011-6



Tube C.STAR Ø 8 vaccum (bobbin 100 m)
Slang C.STAR Ø 8 vakuum (rulle 100 m)

Art. No. 82800011-8



Polyurethane tube soft TUS0805BU-100 gripper
Polyuretanslang mjuk TUS0805BU-100 gripdon

Art. No. 82800240



Tube C.STAR Ø 4 pressure (bobbin 100 m)
Slang C.STAR Ø 4 tryck (rulle 100 m)

Art. No. 82800010-4



Tube C.STAR Ø 6 pressure (bobbin 100 m)
Slang C.STAR Ø 6 tryck (rulle 100 m)

Art. No. 82800010-6



Tube C.STAR Ø 8 pressure (bobbin 100 m)
Slang C.STAR Ø 8 tryck (rulle 100 m)

Art. No. 82800010-8

6. SUCTION CUP/SUGKOPP



Suction cup flat SAF 30 NBR 1/4" inner thread
Sugkopp plan SAF 30 NBR 1/4" invändig gänga

Art. No. 82880056



Suction cup flat SAF 40 NBR 1/4" inner thread
Sugkopp plan SAF 40 NBR 1/4" invändig gänga

Art. No. 82880057



Suction cup flat SAF 50 NBR 3/8" inner thread
Sugkopp plan SAF 50 NBR 3/8" invändig gänga

Art. No. 82880058



Suction cup flat SAF 60 NBR 3/8" inner thread
Sugkopp plan SAF 60 NBR 3/8" invändig gänga

Art. No. 82880059



Suction cup flat SAF 80 NBR 3/8" inner thread
Sugkopp plan SAF 80 NBR 3/8" invändig gänga

Art. No. 82880060



Suction cup flat SAF 100 NBR 3/8" inner thread
Sugkopp plan SAF 100 NBR 3/8" invändig gänga

Art. No. 82880061

6. SUCTION CUP/SUGKOPP



Suction cup bellows FSGA 16 NBR inner thread 1/8"
Sugkopp bälg FSGA 16 NBR invändig gänga 1/8"

Art. No. 82880009



Suction cup bellows FSGA 22 NBR inner thread 1/8"
Sugkopp bälg FSGA 22 NBR invändig gänga 1/8"

Art. No. 82880008



Suction cup bellows FSGA 30 VU1 inner thread 1/4"
Sugkopp bälg FSGA 30 VU1 invändig gänga 1/4"

Art. No. 82880005



Suction cup bellows FSGA 40 VU1 inner thread 1/4"
Sugkopp bälg FSGA 40 VU1 invändig gänga 1/4"

Art. No. 82880002



Suction cup bellows FSGA 50 VU1 inner thread 1/4"
Sugkopp bälg FSGA 50 VU1 invändig gänga 1/4"

Art. No. 82880006



Suction cup bellows FSGA 60 VU1 inner thread 1/4"
Sugkopp bälg FSGA 60 VU1 invändig gänga 1/4"

Art. No. 82880003

6. SUCTION CUP/SUGKOPP



Suction cup bellows SAB 22 NBR 1/4" inner thread
Sugkopp bälg SAB 22 NBR 1/4" invändig gänga

Art. No. 82880103



Suction cup bellows SAB 30 NBR 1/4" inner thread
Sugkopp bälg SAB 30 NBR 1/4" invändig gänga

Art. No. 82880083



Suction cup bellows SAB 40 NBR 1/4" inner thread
Sugkopp bälg SAB 40 NBR 1/4" invändig gänga

Art. No. 82880050



Suction cup bellows SAB 50 NBR 3/8" inner thread
Sugkopp bälg SAB 50 NBR 3/8" invändig gänga

Art. No. 82880051



Suction cup bellows SAB 60 NBR 3/8" inner thread
Sugkopp bälg SAB 60 NBR 3/8" invändig gänga

Art. No. 82880052



Suction cup bellows SAB 80 NBR 3/8" inner thread
Sugkopp bälg SAB 80 NBR 3/8" invändig gänga

Art. No. 82880053



Suction cup bellows SAB 100 NBR 3/8" inner thread
Sugkopp bälg SAB 100 NBR 3/8" invändig gänga

Art. No. 82880054

6. SUCTION CUP/SUGKOPP



Suction cup PFYN 30 VU 1 inner thread 1/8"
Sugkopp PFYN 30 VU 1 invändig gänga 1/8"

Art. No. 82880028



Suction cup PFYN 50 VU 1 inner thread 1/4"
Sugkopp PFYN 50 VU 1 invändig gänga 1/4"

Art. No. 82880029



Suction cup PFYN 60 VU 1 inner thread 1/4"
Sugkopp PFYN 60 VU 1 invändig gänga 1/4"

Art. No. 82880076



Suction cup PFYN 80 VU 1 inner thread 1/4"
Sugkopp PFYN 80 VU 1 invändig gänga 1/4"

Art. No. 82880044



Suction cup KSB 20-1/8" NBR
Sugkopp KSB 20-1/8" NBR

Art. No. 82880290



O-ring for suction cup KSB 20-1/8" NBR
O-ringar för sugkopp KSB 20-1/8" NBR

Art. No. 81900235

6. SUCTION CUP/SUGKOPP



Suction cup PFYN-30 NBR inner thread 1/8"
Sugkopp PFYN-30 NBR invändig gänga 1/8"

Art. No. 82880020



Suction cup PFYN-40 NBR inner thread 1/8"
Sugkopp PFYN-40 NBR invändig gänga 1/8"

Art. No. 82880021



Suction cup PFYN-50 NBR inner thread 1/8"
Sugkopp PFYN-50 NBR invändig gänga 1/8"

Art. No. 82880022



Suction cup PFG-60 NBR inner thread M10x1.25
Sugkopp PFG-60 NBR invändig gänga M10x1,25

Art. No. 82880023



Suction cup PFG-80 NBR inner thread M10x1.25
Sugkopp PFG-80 NBR invändig gänga M10x1,25

Art. No. 82880024



Suction cup adapter NPP M10x1.25"
Koppling adapter NIPP M10x1,25"

Art. No. 82860016

6. SUCTION CUP/SUGKOPP



Suction cup SAOF 23x60 inner thread 3/8" NBR60
Sugkopp SAOF 23x60 invändig gänga 3/8" NBR60

Art. No. 82880097



Suction cup SAOF 40x80 inner thread 3/8"
Sugkopp SAOF 40x80 invändig gänga 3/8"

Art. No. 82880100



Suction cup SAOF 16x50 inner thread 3/8"
Sugkopp SAOF 16x50 invändig gänga 3/8"

Art. No. 82880098



Suction cup bellows SAOB 40*80 inner thread NBR 1/4"
Sugkopp bälg SAOB 40*80 invändig gänga NBR 1/4"

Art. No. 82880072



Suction cup bellows SAOB 30*60 inner thread 1/4"
Sugkopp bälg SAOB 30*60 invändig gänga 1/4"

Art. No. 82880102

6. SUCTION CUP/SUGKOPP



Permanent magnet SGM50
Permanentmagnet SGM50

Art. No. 81840032



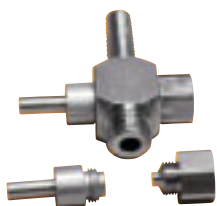
Permanent magnet SGM70
Permanentmagnet SGM70

Art. No. 81840030



Suction cup module with integrated ejector
Sugkoppsmodul med integrerad ejektor

Art. No. 12650023



Vacuum ejector kit, for cellrubber
Vakuumejektor-kit, för cellsugkopp

Art. No. 82040011



Cellrubber 80/40x15 self adhesive
Mjukt cellgummi 80/40x15 självhäftande

Art. No. 22600022



Flexolink FLK 1/4-1/4 IG
Flexolink FLK 1/4-1/4 IG

Art. No. 82890008



Sound absorber U-1/8-B
Ljuddämpare U-1/8-B

Art. No. 82850125

Construction kit for gripper

Konstruktionskit för gripdon



Component box with the most essential parts for manufacturing a gripper that's suitable for AP&T's automatization.

Framework for gripper, see page 4-5.

Komponentlåda med de mest nödvändiga delarna för tillverkning av gripdon som passar för AP&T:s automatisering.

Stomme för gripdonskit, se sid. 4-5.

Art. No. 11640020

8. DRIVING/DRIVNING



Gear belt poly C 8M-1000-21 for X-module
Kuggrem poly C 8M-1000-21 för X-modul

Art. No. 81220527



Gear belt poly 8M-1120-21 for Y-module
Kuggrem poly 8M-1120-21 för Y-modul

Art. No. 81220534



Drive packages X-module SF40/60/120
Vändhjul kit X-modul SF40/60/120

Art. No. 11075076



Belt wheel
Remhjul

Art. No. 21070076



Cog belt LL-ATL10 HighFlex 50 Pu steel X-module
Kuggrem LL-ATL10 HighFlex 50 Pu stål X-modul

Art. No. 81220065



Turning wheel SF240
Vändhjul SF240

Art. No. 210705148



Cog belt for SF240 steel X-module
Kuggrem för SF240 stål X-modul

Art. No. 81220530

8. DRIVING/DRIVNING



Rack plate, polyamide
Kuggstångsplatta, polyamid

Art. No. 85980005



Alucore, rack plate
Aluminiumstomme, kuggstång

Art. No. 21075002



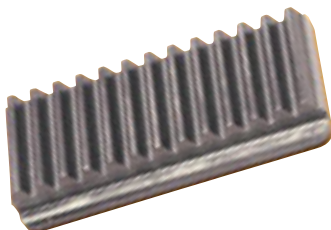
Cog wheel for Y-axis
Kugghjul för Y-axel

Art. No. 21070004



Cog wheel for X and Z-axis
Kugghjul för X och Z-axel

Art. No. 21070005



Rack plate segment, steel M2,5x13
Kuggstångssegment, stål M2,5x13

Art. No. 21070528



Hardened cog wheel for Y-axis
Härdat kugghjul för Y-axel

Art. No. 21070444



Hardened cog wheel for X and Z-axis
Härdat kugghjul för X och Z-axel

Art. No. 21070445

8. DRIVING/DRIVNING



Plastic wheel 76X20X8, ACETAL
Plastrulle 76X20X8, ACETAL

Art. No. 85980003



Chain with plastic knobs
Kedja med plastknopp

Art. No. 21220801



Plastic knob for chain
Plastknopp till kedja

Art. No. 21220533



Ball bushing LBHT 50-A
Kulbussning LBHT 50 A

Art. No. 81340264



Ball bushing LBHT 40-2LS
Kulbussning LBHT 40-2LS

Art. No. 81340003



Dual Vee wheel W4X
Dual Vee hjul W4X

Art. No. 81340117



Grease Dynalub 510 400 g cartridge
Fett Dynalub 510 400 g patron

Art. No. 82370006

9. LUBRICATION SYSTEM / SMÖRJSYSTEM



Automatic lubrication system for X-axis
Automatiskt smörjsystem för X-axel

Art. No. 11075000



Automatic lubrication system for Y-axis
Automatiskt smörjsystem för Y-axel

Art. No. 11075001



Automatic lubrication system for Z-axis
Automatiskt smörjsystem för Z-axel

Art. No. 11075002



Grease SIMALUBE SL02.125
Smörjfett SIMALUBE SL02.125

Art. No. 82370007



Coating brush 2035-S
Anoljninsborste 2035-S

Art. No. 81120010



Coating brush 2035
Anoljninsborste 2035

Art. No. 81120009

Vacuum unit

Vakuumenhet



This unit contains:

- » Ejector SCP15
- » Filter
- » Sound absorber
- » 2 pieces of valves
- » Vacuum guard with two pre-set levels for AP&T machines.

Denna enhet innehåller:

- » Ejektor SCP15
- » Filter
- » Ljuddämpare
- » 2 st ventiler
- » Vakuumvakt med två förinställda nivåer för AP&T maskiner.

Art. No. 82040003

11. SPARE PARTS FOR VACUUM UNIT/RESERVDLAR FÖR VAKUUMENHET



Check valve for vacuum unit SCP15
Backventil till vakuumenhet SCP15

Art. No. 82210015



Rubber gasket for check valve
Gummipackning till backventil

Art. No. 82210016



O-ring for check valve
O-ring för backventil

Art. No. 82210017



Piston for vacuum unit SCP15 (new model)
Kolvar för vakuumenhet SCP15 (ny modell)

Art. No. 82200047



Piston + O-ring for vacuum unit SCP15 (older model)
Kolv + O-ringar för vakuumenhet SCP15 (äldre modell)

Art. No. 82200044



Filter unit for vacuum unit SCP15
Filterelement till vakuumenhet SCP15

Art. No. 82600237



Sound absorber for vacuum unit SCP15
Ljuddämpare till vakuumenhet SCP15

Art. No. 82850123

12. OTHER COMPONENTS/ÖVRIGA KOMPONENTER



Filter house EZFA-200F02 for filter unit
Filterhus EZFA-200F02 för filterelement

Art. No. 82600234



Filter unit EJ101H-030N
Filterelement EJ101H-030N

Art. No. 82600235



Sound absorber U-1/4"
Ljuddämpare U-1/4"

Art. No. 82850122



Filter mat SK 3173 1S 289x289 mm
Filtmatta SK 3173 1S 289x289 mm

Art. No. 84990820



Sound absorber for utb. Cylinder 1/2"
Ljuddämpare för utb.Cylinder 1/2"

Art. No. 82850118



Sound absorber for utb. Cylinder 1/4"
Ljuddämpare för utb.Cylinder 1/4"

Art. No. 82850120



Sound absorber for utb. Cylinder 3/8"
Ljuddämpare för utb.Cylinder 3/8"

Art. No. 82850121

12. OTHER COMPONENTS/ÖVRIGA KOMPONENTER



Diffuse reflection sensor 12-24 V DC, 100mA
Diffus reflexionsdetektor 12-24 V DC 100mA

Art. No. 84185058



Operating key
Operatörsnyckel

Art. No. 84152026



Vacuum meter VB 4000 1/8"
Vakuummeter VB 4000 1/8"

Art. No. 82290209



Plastic handle (Risse)
Plasthandtag (Risse)

Art. No. 84739001



Frl.Unit
Frl.Enhet

Art. No. 82280423

12. OTHER COMPONENTS/ÖVRIGA KOMPONENTER



Locking lever size 10/16/24 B Harting
Låsbygel st 10/16/24 B Harting

Art. No. 84789033



Contact pneumatic male 6mm
Kontakt pneumatisk hane 6mm

Art. No. 84786028



Contact pneumatic male 4mm
Kontakt pneumatisk hane 4mm

Art. No. 84786023



Initiation reference peg rail 35/45
Initiering, referensplugg för skena 35/45

Art. No. 21075164



Initiation reference peg rail 25/35
Initiering, referensplugg för skena 25/35

Art. No. 21075125



Rubber cup (red SHORE 95)
Gummipuck (röd SHORE 95)

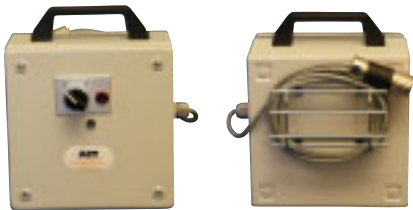
Art. No. 21260121



Rubber cup (green SHORE 80)
Gummipuck (grön SHORE 80)

Art. No. 21260177

13. SPECIAL TOOLS/SPECIALVERKTYG



**Brake release for servo motor
Bromssläppare för servomotor**

Art. No. 14620012



**Vacuum tester machine
Vakuumprovare maskin**

Art. No. 12600003



**Vacuum tester gripper
Vakuumprovare gripdon**

Art. No. 12600001



**Vacuum tester single vacuum machine
Vakuumprovare enkel vakuummaskin**

Art. No. 12600007



**Removal tool for crimp contacts
Demonteringsverktyg för lödfria kontakter**

Art. No. 84786049



**Console mousepad
Konsol musmatta**

Art. No. 21620121

Industrial computer AP&T HMI, XP

Industridator AP&T HMI, XP



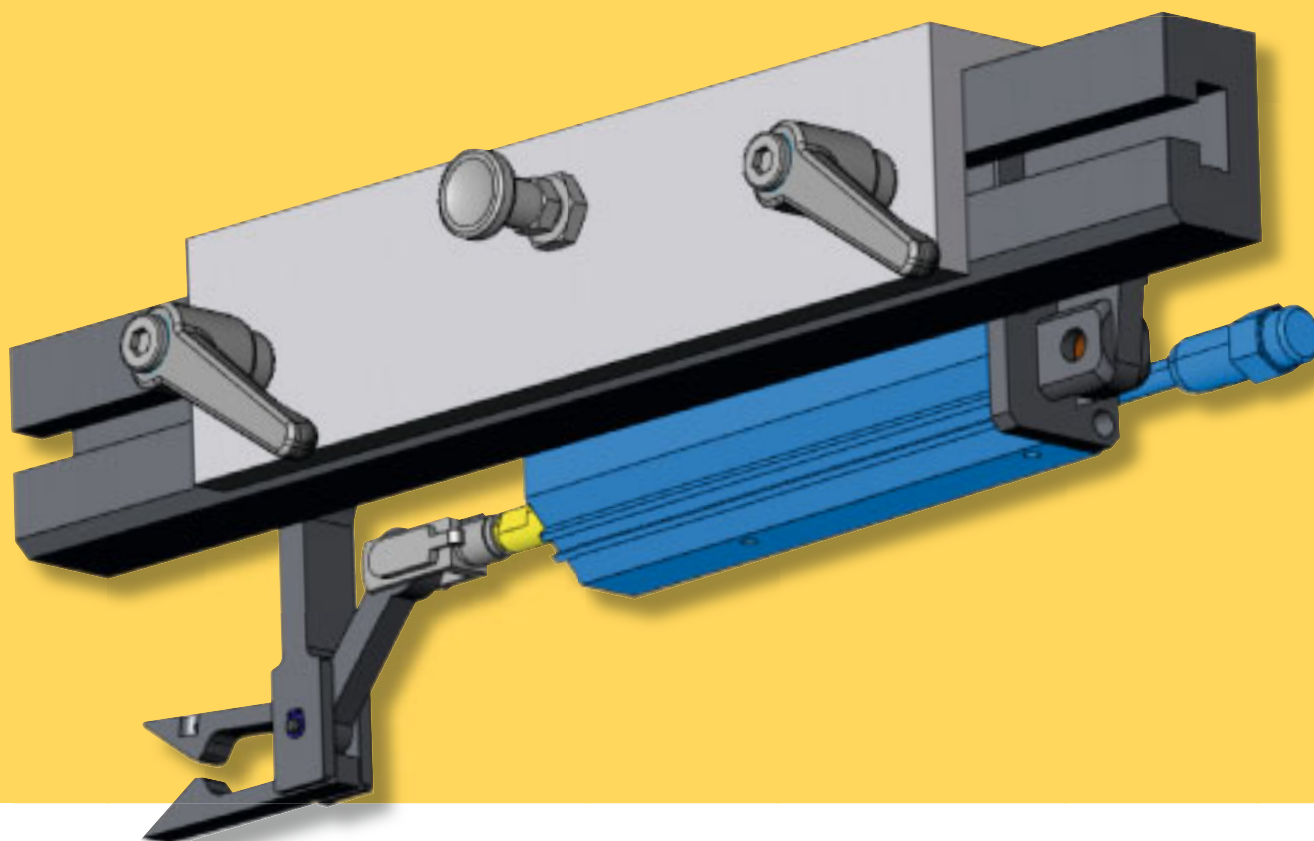
- » IP65 in front
- » 38,1cm (15") TFT color display (XGA)
- » Touch screen ELO
- » CPU Intel Celeron 575 2,00 GHz, fanless
- » Hard disk Extended S-ATA 100 GB
- » 2 GB DDR2-RAM
- » 2xPS/2 (mouse, keyboard)
- » 2xUSB 2.0 front-sided under cover
- » Windows XP Prof. for Embedded Systems
- » MPI-card CP 5611
- » Aluminum frame

- » IP65 i fronten
- » 38,1 cm (15") TFT färgskärm (XGA)
- » Peksärm ELO
- » CPU Intel Celeron 575 2,00 GHz, utan fläkt
- » Hårdisk Extended S-ATA 100 GB
- » 2 GB DDR2-RAM
- » 2xPS/2 (mus, tangentbord)
- » 2xUSB 2.0 skyddad i fronten
- » Windows XP Prof. for Embedded Systems
- » MPI-kort CP 5611
- » Aluminiumram

Art. No. 84990810

Mechanical double sheet control for universal montage

Mekanisk dubbelplåtskontroll för universellt montage

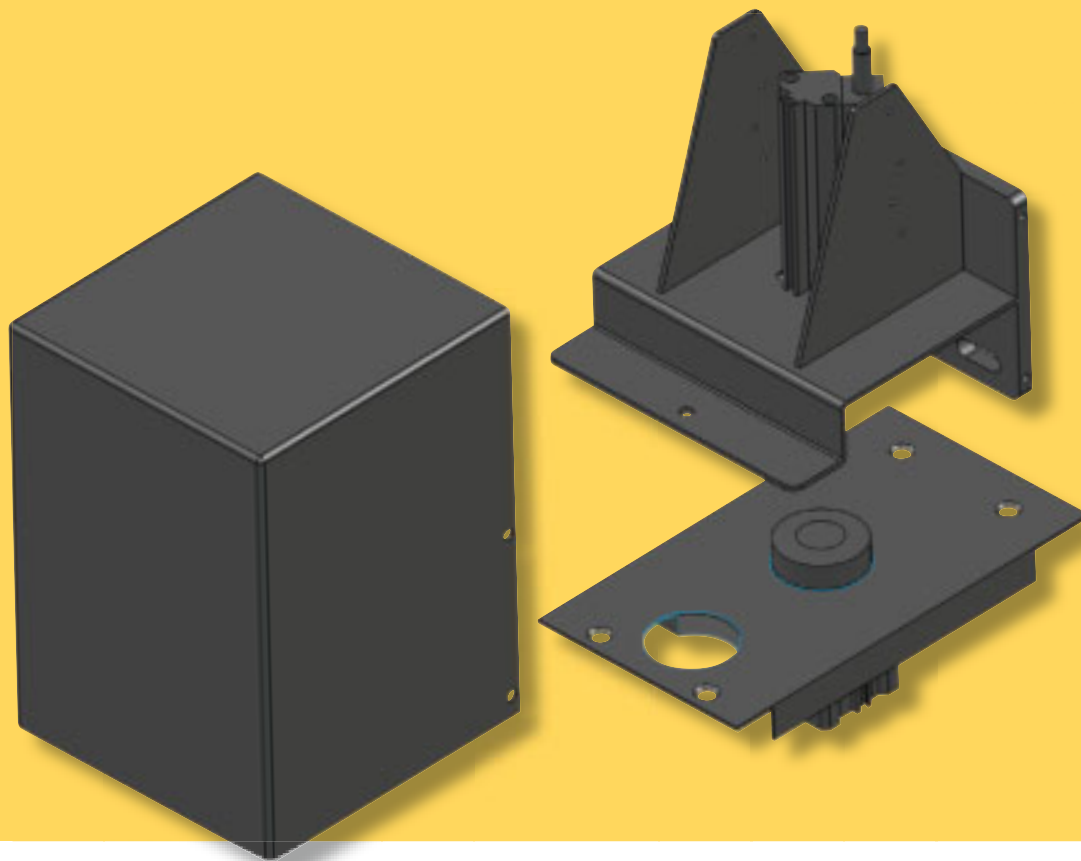


- ›› Measures the thickness with a digital pneumatic linear cylinder
- ›› Setting is done from the HMI operator's panel
- ›› Special safety software for a safe control process
- ›› Quick measurement
- ›› Handle material with a thickness between 0.4 - 12 mm

- ›› Mäter tjockleken med en digital, linjär pneumatisk cylinder
- ›› Inställning görs från en HMI operatörspanel
- ›› Speciell säkerhetsmjukvara för säker kontrollfunktion
- ›› Snabb mätning
- ›› Hanterar material med en tjocklek mellan 0,4 - 12 mm

Mechanical double sheet control for installation in conveyor

Mekanisk dubbelplåtskontroll för inbyggnad i transportör



- ›› Measures the thickness with a digital pneumatic linear cylinder
- ›› Setting is done from the HMI operator's panel
- ›› Special safety software for a safe control process
- ›› Quick measurement
- ›› Handle material with a thickness between 0.4 - 12 mm

- ›› Mäter tjockleken med en digital, linjär pneumatisk cylinder
- ›› Inställning görs från en HMI operatörspanel
- ›› Speciell säkerhetsmjukvara för säker kontrollfunktion
- ›› Snabb mätning
- ›› Hanterar material med en tjocklek mellan 0,4 - 12 mm



AP&T supports you all the way with field and contract service, rebuilds, spare parts, training and a lot more. We believe in maintaining long-term relationships with our customers. In order to do this, we keep the highest quality in our products, not only upon delivery and in projects, but in full support of your day to day operations. Contact us at AP&T Customer Service!

- › **Field Service**
- › **Contract Service**
- › **Rebuilds**
- › **Spare Parts**
- › **Training**
- › **Technical Support**

AP&T
AUTOMATION · PRESSES · TOOLING

=

tranemo
Hydraulics & Power AB

LAGAN PRESS

VIBAB
Hydraulics & Power AB

Talent

AP&T ›› Box 208, Industrigatan 5, SE-514 24 Tranemo, Sweden ›› Phone +46 325 66 18 00
Fax +46 325 66 18 88 ›› E-mail info@aptgroup.com ›› Internet aptgroup.com